

RackStar® 66

Project _____
 Item _____
 Quantity _____
 CSI Section 11400
 Approval _____
 Date _____

Models

RackStar 66



Standard Features

- Adjustable Rinse System
- Rainbow Rinse™ with arched rinse arm design
- 19-3/4" (502 mm) clearance
- WISR® Cleaning System
- Double-wall insulated doors retain heat, keeping wash water hot & generating less heat in the dish room
- Self-cleaning wash arms
- 22" pre-wash
- Fully automatic, including auto-fill
- Adjustable vent cowl collars
- Exclusive EnergyGuard™ controls
- Self-draining stainless steel wash pump
- Digital LED control panel
- Strike plate table limit switch
- Large front access for ease of maintenance
- Stainless steel strainer pans
- Splash shields
- Stainless steel frame and legs
- Exhaust vent fan control
- 15kW wash tank heater
- Front dress panel
- Adjustable bullet feet

Mandatory Specs

Specify:

- Electric
 Steam

Specify Voltage _____

Specify Sanitizing Method:

- High Temperature
 Chemical Sanitizing

Specify Direction of Operation:

- Left to Right
 Right to Left

Options

- Onboard Booster
 40° F (22.2° C) Rise
 70° F (38.9° C) Rise
 Single Point Connection with Onboard Booster (3 phase only)
 Steam Booster Heater
 23" (584 mm) Unhooded Side Loader
 30" (762 mm) Unhooded Side Loader
 Flanged Feet
 Prison Package

Accessories

- 36-Compartment Rack
 4-1/8" tall (104 mm)
 5 - 5/8" tall (143 mm)
 7" tall (178 mm)
 Combination Rack
 Peg Rack
 Sheet Pan Rack
 Drain Quench System
 Scaltrol
 Water Hammer Arrestor

Specifications

Uses 0.35 gallons of water (1.32 liters) per rack in Econo Rinse mode

Uses 0.52 gallons of water (1.97 liters) per rack in Turbo Rinse mode

Cleans 223 racks per hour

22" (559 mm) pre-wash section has 3 upper and 1 lower pre-wash arms

Durable stainless steel construction

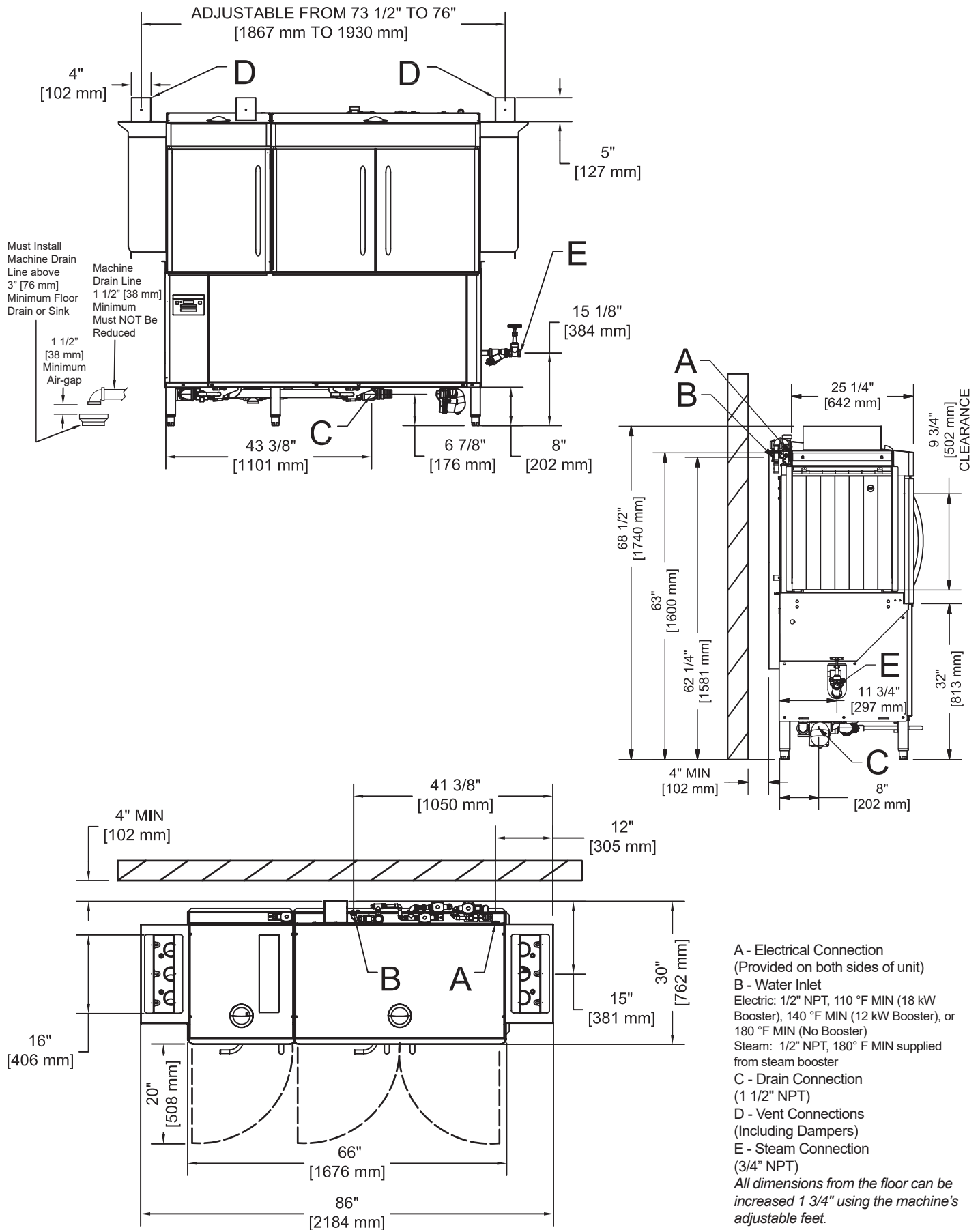


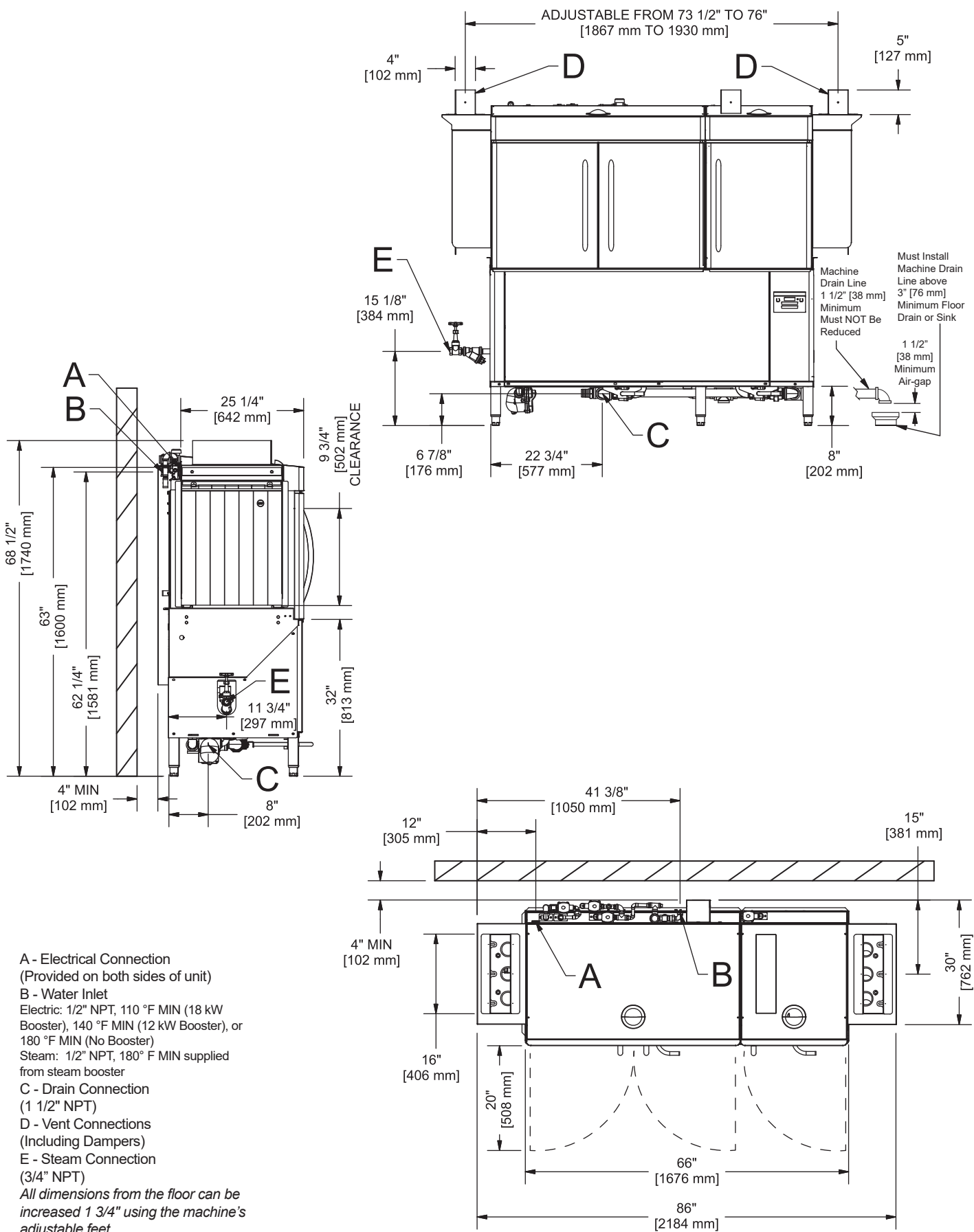
Intertek



RackStar® 66

Left to Right





RECOMMENDED TABLE FABRICATION

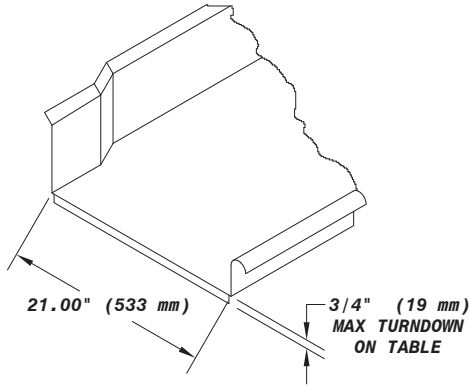
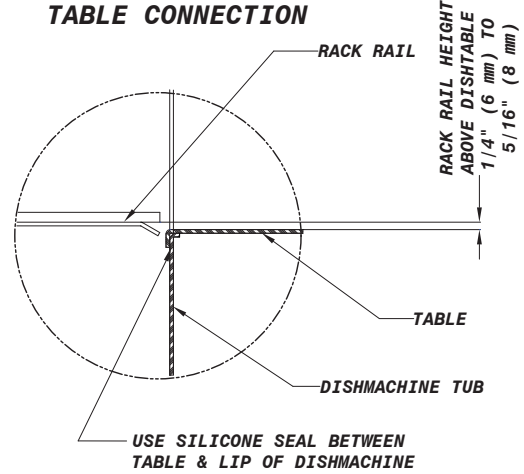


TABLE CONNECTION



MODEL NO.	MACHINE DIMENSIONS				DRAIN HEIGHT	SHIPPING INFORMATION					
	HEIGHT	LENGTH BETWEEN DISHTABLES	DEPTH	DEPTH WITH DOORS OPEN		WEIGHT	CLASS	CUBE	HEIGHT	WIDTH	DEPTH
RackStar 66	64-1/2" (1632 mm)	66" (1676 mm)	30" (762 mm)	50" (1270 mm)	6-1/2" (165 mm)	1,115 lbs (506 kg)	150	166.67 cu. ft.	75" (1905 mm)	96" (2439 mm)	40" (1016 mm)

OPERATING CAPACITY			
	High-Temperature	Chemical Sanitizing	
Racks per Hour	223	223	
Dishes per Hour	5,575	5,575	
Glasses per Hour	8,028	8,028	

OPERATING TEMPERATURES			
	High-Temperature	Chemical Sanitizing	
Pre-Wash	110 - 140° F (43 - 60° C)	110 - 120° F (43 - 49° C)	
Wash (minimum)	160° F (71° C)	120° F (49° C)	
Rinse (minimum)	180° F (82° C)	120° F (49° C)	

ELECTRICAL REQUIREMENTS*			
Approximate Total Load AMPS			
	Electric Tank Heat	Steam	
208V/60HZ/3PH	58.3	9.7	
208V/60HZ/1PH	91.4	11.8	
230V/60HZ/3PH	50.5	9.5	
230V/60HZ/1PH	81.1	11.8	
460V/60HZ/3PH	25.3	4.8	

BOOSTER HEATER ELECTRICAL REQUIREMENTS*					
	40° F (22.2° C) Minimum Rise		70° F (38.9° C) Minimum Rise		
	kW	AMPS	kW	AMPS	
208V/60HZ/3PH	12	33.3	17.2	47.7	
208V/60HZ/1PH	12	57.7	17.2	82.7	
230V/60HZ/3PH	12	27.7	18	41.5	
230V/60HZ/1PH	12	47.9	18	71.9	
460V/60HZ/3PH	12	13.8	18	20.7	

*Total amp draw for a single point connection with onboard booster heater (3 phase only) is calculated by adding the amp load for the booster heater to the amp load for the machine.

HOW TO SPECIFY: RackStar 66

WATER REQUIREMENTS	
Inlet Temperature (minimum)	
With 40° F (22.2° C) Rise Booster Heater	140° F (60° C)
With 70° F (38.9° C) Rise Booster Heater	110° F (43° C)
Gallons per Hour (Econo Rinse / Turbo Rinse)	78 gal (295 L) / 116 gal (239.1 L)
Gallons per Rack (Econo Rinse / Turbo Rinse)	0.35 gal (1.3 L) / 0.52 gal (1.97 L)
Waterline Size IPS (minimum)	1/2"
Drainline Size IPS (minimum)	1-1/2"
Flow Pressure (PSI)	15
Flow Rate GPM (minimum)	1.30 (4.9 LPM)
Wash Tank Capacity	25 gal (95 L)

WASH PUMPS	
Pre-Wash Pump Motor	2 hp
Wash Pump Motor	3 hp
Pre-Wash Pump Capacity	220 GPM (833 LPM)
Wash Pump Capacity	270 GPM (1022 LPM)

CONVEYOR	
Conveyor Motor	1/4 hp
Conveyor Speed (feet per minute)	6.07 FPM (1.85 MPM)

VENTING REQUIREMENTS	
Input End	200 CFM
Output End	200 CFM
Total CFM	400 CFM

STEAM COIL TANK HEAT (STEAM MODELS ONLY)	
Steam Connection IPS	3/4"
Steam Flow Pressure (PSIG)	10-20
Consumption @ 15 PSIG (lbs/hr)	60

Jackson WWS, Inc.

Shipping Address: 6209 North U.S. Highway 25E, Gray, KY 40734
 Mailing Address: P.O. Box 1060, Barbourville, KY 40906
 Telephone: 888-800-5672 • Fax: 606-523-1799
 Email: info@jacksonwws.com
 07610-004-36-87 [03/19/18]

www.jacksonwws.com