

## SR Series Reach-In-Refrigerators



Model No.	Description	Length	Depth	Height W/Casters	Voltage	Amps	HP/BTUs	Power Cord	Est. Ship Weight
<b>Refrigerators</b>									
<b>SR22</b>	One Door	26.50"	36.84"	83.00"	115	6.8	1/4	5-15P	328
<b>SR48</b>	Two Door	52.25"	36.84"	83.00"	115	9.6	1/3	5-15P	516
<b>SR75</b>	Three Door	78.00"	36.84"	83.00"	115	12.1	1/2	5-20P	720
<b>R-SR22</b>	One Door	26.50"	36.84"	83.00"	115	1.1	1000 BTUs	NO	328
<b>R-SR48</b>	Two Door	52.25"	36.84"	83.00"	115	2.0	1900 BTUs	NO	516
<b>R-SR75</b>	Three Door	78.00"	36.84"	83.00"	115	2.3	2300 BTUs	NO	720

MODEL NUMBER PREFIX - SC = Self Contained R = Remote  
 MODEL NUMBER SUFFIX - W = White B = Black S = Stainless Steel LED = LED lighting  
 • Cases are designed to operate at 75 degrees Fahrenheit and 55% relative humidity  
 • Cases are equipped with drains; check your local building codes for connection requirements.  
 • Specification subject to change without notice  
 IF COLORS ARE MIXED AN ADDITIONAL CHARGE WILL APPLY



## SR Series Reach-In-Refrigerators

### Standard Specification and Optional Features

#### CONSTRUCTION

- UL Classified to ANSI/NSF 7
- Top mounted condensing unit
- 5" heavy duty casters
- Foamed in place CFC free foam
- Externally mounted digital display
- Heavy duty edge mount hinges
- Self closing doors

#### INTERIOR

- 3 epoxy coated shelves per door
- Aluminum interior

#### EXTERIOR

- Stainless front and doors
- Aluminum end panels
- Heavy duty door locks
- Horizontal mounted handle
- Frame heater minimizes moisture around door

#### REFRIGERATORS

- R134a condensing unit
- Capillary tube system
- Self contained and Remote units -  
Electronic control regulates even temperature
- Automatic air defrost
- 115V
- Cord and plug included
- UL/CUL listed

#### LIGHTING

- Automatic interior light activates when door is opened

#### OPTIONS

- Stainless steel outside ends
- Stainless steel interior
- Laminated door, grill, sides
- Door swing change
- 6" legs top mount units only
- Pan slides
- Extra shelf
- Half-door or glass doors
- Cantilever shelves

## SR Series Reach-In-Refrigerators

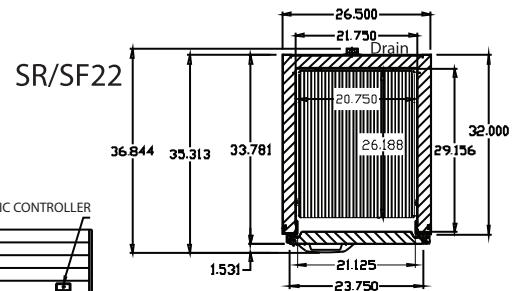
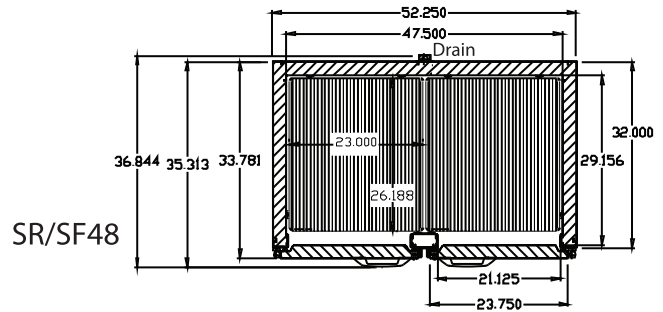
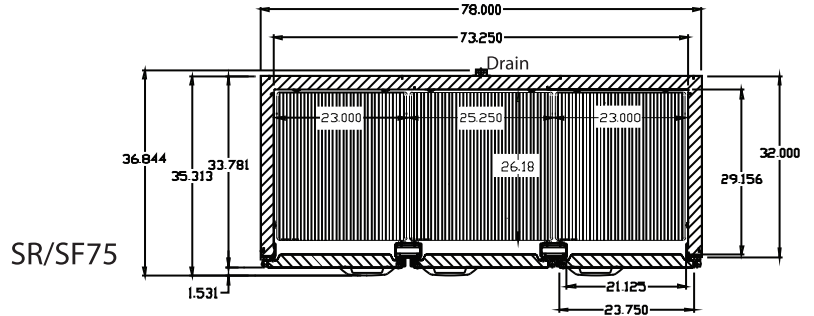
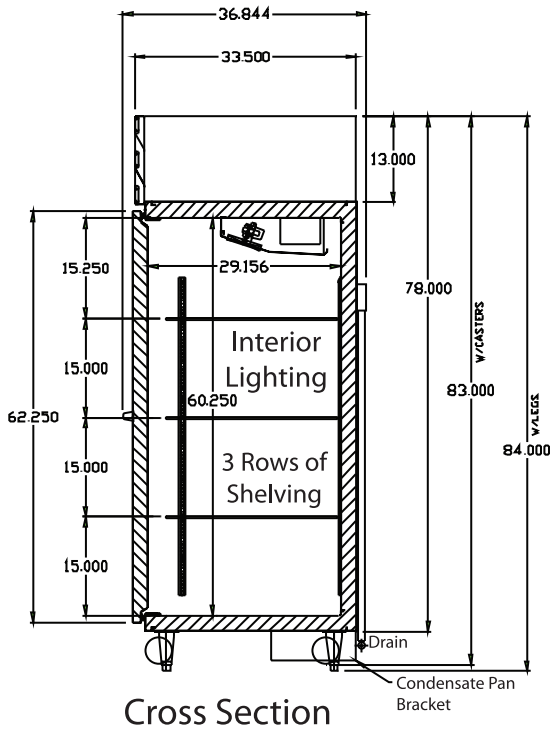
### Technical Data

Model No. REFRIGERATORS	SC R	SR22 R-SR22	SR48 R-SR48	SR75 R-SR75
Operating temperature		36°F to 40°F	36°F to 40°F	36°F to 40°F
Refrigerant	SC	R134a	R134a	R134a
Compressor size HP	SC	1/4	1/3	1/2
Refrigeration system		Electronic controlled	Electronic controlled	Electronic controlled
Air defrost		1 per Day	1 per Day	1 per Day
BTU's at +20°F Evap. Temp.	R	1000	1900	2300
Voltage	SC	115	115	115
Voltage	R	115	115	115
Amperage	SC	6.8	9.6	12.1
Amperage, lights, fans	R	1.1	2.0	2.3
Cord and plug	SC	5-15P	5-15P	5-20P
Length		26.50"	52.25"	78.00"
Height with casters		83.00"	83.00"	83.00"
Depth w/drain line & handle		36.84"	36.84"	36.84"
(Dimensions are +/- 1/4") Cubic capacity		22	48	75
Door size		(1) 23.750" x 62.25"	(2) 23.750" x 62.25"	(3) 23.750" x 62.25"
Shelf size		(3) 20.75" x 26.188" (6) 23" x 26.188"	(3) 23" x 26.188"	(3) 25.25" x 26.188"
Shipping Info				
Height		82.00"	82.00"	82.00"
Depth		44.00"	44.00"	44.00"
Length		31.00"	58.00"	84.00"
Gross weight Refrigerators SC/R		328/228	516/401	720/595
Cubic feet		73'	118'	171'

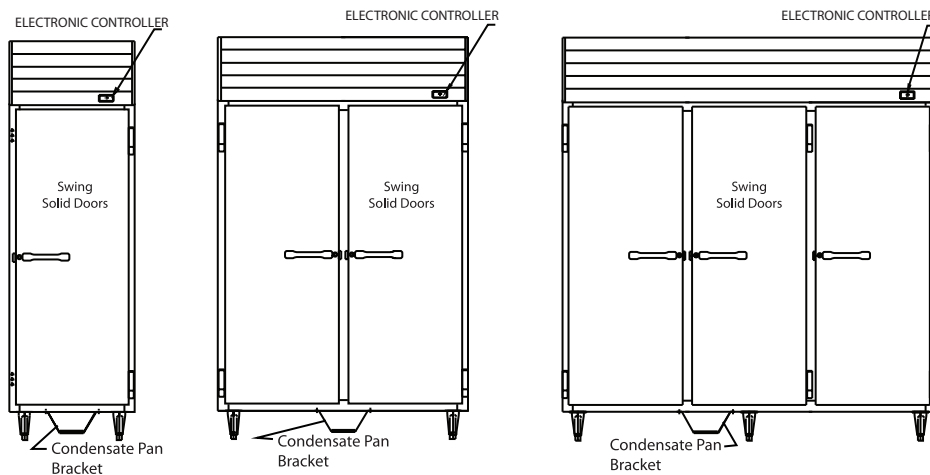
Specification subject to change without notice

## SR Series Reach-In-Refrigerators

### Technical Data • Side View • Plan View



Plan Views



Front View