

# Ice/Beverage Series 620C Remote Ice Cube Machine with Patented CVD Technology®

Ice/Beverage Series 620C Remote Ice Cube Machine

## Models

IBF0620C



Ice/Beverage Series 620C ice machine - 115V Servend SV-250 beverage dispenser  
An "NSF Listed" Ice/Beverage Dispenser Combination

### An Ice Machine Designed Specifically for Beverage Dispensers



CVD Condensing Unit - 208-230V

QuietQube ice machine with CVD condensing unit is designed as a Manitowoc system and cannot be used with any other ice machine or remote condenser brand.

## Standard Features

IB Series QuietQube® Remote System consists of a remote condensing unit, interconnecting refrigerant lines, ice machine head section along with a countertop dispenser, or ice storage bin. All ordered separately.

- **Space-Saving Design** - up to 625 lbs ( 283 kg ) daily ice production in narrow 22" footprint eases sanitation procedures for the ice storage area and beverage valves.
- Also allows for convenient manual loading of ice in dispenser to satisfy peak ice usage.
- Can be installed or retrofitted to virtually any commercial beverage dispenser.
- Only 14" (35.56 cm) deep, 22" (55.88 cm) wide, and 24.0" (60.96 cm) high.
- **Quiet Operation** - eliminates most noise from the refrigeration system. Promotes a relaxing atmosphere.
- **Intelligent Diagnostics** - provide 24 hour preventative maintenance and diagnostic feedback for trouble free operation.
- **Acoustical Ice Sensing Probe** - Unique patented technology allows for reliable operation in challenging water conditions and environments.
- **easyTouch® display**- New icon based display, takes the guess work out of owning and operating an ice machine
- **Programmable Ice Production** - Now its super easy to program your ice machine to be off at certain times of the day to save money with fluctuating electrical rates. Also programmable by daily ice production volume and night time programming.
- **Easy to Clean Foodzone** - Lift-off front door for easy access. Removable water-trough, distribution tube, curtain, and sensing probes for fast and efficient cleaning. Select components made with AlphaSan® antimicrobial.
- **DuraTech™ Exterior** - provides superior corrosion resistance. Stainless finish with innovative clear-coat resists fingerprints and dirt.
- **Available LuminIce II Virus and Bacteria Inhibitor** - Control the growth of bacteria and yeast with the Food zone keeping the machine cleaner longer. A New indicator in the display keeps you abreast of the operation status.
- **Active Sense** - Insures consistent ice harvest in all environment conditions. This software solution works in conjunction with the acoustical ice sensing probe improving reliability and performance

## Ice Shape



**Half Dice**  
3/8" x 1 1/8" x 7/8"  
(.95 x 2.86 x 2.22 cm)





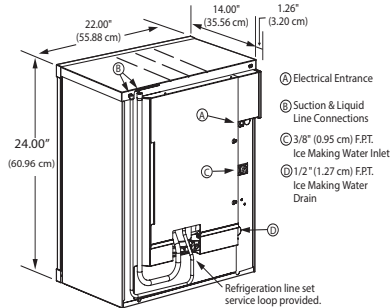
## Ice/Beverage iBF0620C Ice Machine

### Installation Note

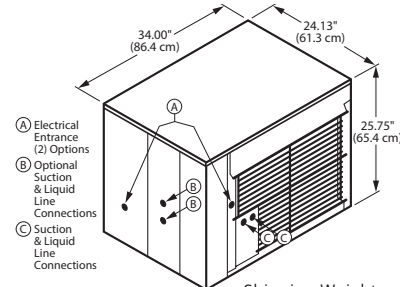
Minimum installation clearance:

Top: 2" (5 cm)  
 Back: 5" (13 cm)  
 Sides: 8" (20.3 cm)  
 (additional space for servicing may be required)

Shipping Weight:  
 148 lbs. / 67 kg



## CVD0600-A Condensing Unit



Shipping Weight:  
 208 lbs. / 94 kg

## Ice Machine Electric

115/60/1 standard.

Total Amps: 1.1

Max. fuse size: 15 amps  
 HACR-type circuit breakers can be used in place of fuses.

## Specifications

### Operating Limits:

Ambient Temperature Range: 40° to 110°F (4.4° to 43.4°C)

Water Temperature Range: 40° to 90°F (4.4° to 32.2°C)

Water Pressure Ice Maker Water In:

Min. 20 psi (137.9 kPa)

Max. 80 psi (551.1 kPa)

Refrigerant: R-404A

208-230/60/1 standard. 208-230/60/3 HACR-type circuit breakers can be used in place of fuses.

Note: QuietQube ice machine power supply is wired independent of CVD condensing unit.

### Min. circuit ampacity:

9.0 1ph                      6.6 3ph

### Max. fuse size:

15 amps 1ph                      15 amps 3ph

HACR-type circuit breakers can be used in place of fuses.

### BTU Per Hour:

11,800 (average) 13,700 (peak)

### Compressor:

Nominal rating: 1 HP

### Operating Limits:

Ambient Temperature Range:

-20° to 120°F (-29° to 48.9°C)

## Remote Air-cooled Ice Machine

Model	Ice Shape	Ice Production 24 Hours		Power kWh/ 100 lbs. @90° Air/70°F*	Potable Water Usage/ 100 lbs. 45.4 kg of Ice*
		70° Air/50°F Water 21° Air/10°C Water	90° Air/70°F Water* 32° Air/21°C Water		
IBF0620C	half-dice	675 lbs.	564 lbs.	5.68	20.0 gal.
		306 kg	256 kg		75.7 L

Ice machine for use with ice dispenser, CVD condensing unit and dispenser adapter. All ordered separately. kWh per 100 lbs. is total power of ice machine and condensing unit. Ice machine is 1 ph only. Condensing unit is 1 ph or 3 ph.



\*Ratings Certified in Accordance with AHRI Standard 810.

## Indigo NXT Remote Tubing Kits

Model	Line Length		Weight	
	ft.	m	lbs.	kg
RC-21	20	6	12	5
RC-31	30	9	17	9
RC-51	50	15	27	13



Adapter required. Ordered separately. For attachment to ice storage bin, contact factory.

Note: IB models are designed for use with an Ice/Beverage dispenser.

### Installation Information and Dimensions:

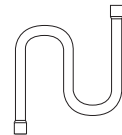
Maximum Line Length  
 —100' (30.5 m).\*

Maximum Vertical Rise\*  
 —35' (10.7 m) above ice machine.

Maximum Vertical Drop  
 —15' (4.5 m) below ice machine.

Minimum Installation Clearance  
 —Top/sides: 0" (0 cm)  
 —Back/Front: 48" (122 cm).

\*A rise over 20' (6 m) requires S-Trap Kit K-00172 - ordered separately.



## Accessories

### Luminice® II Virus and Bacteria Inhibitor

controls viruses and bacteria inside the ice machine



### External Scoop holder

protect the ice scoop with the NSF approved versatile scoop holder.



### Arctic Pure® Plus Water Filters

reduce sediments and chlorine contaminants down to .5 microns. Use with a Pre-filter is recommended.



iAuCS® schedules and performs routine ice machine cleaning automatically.



Manitowoc Ice reserves the right to make changes to the design or specifications without prior notice.